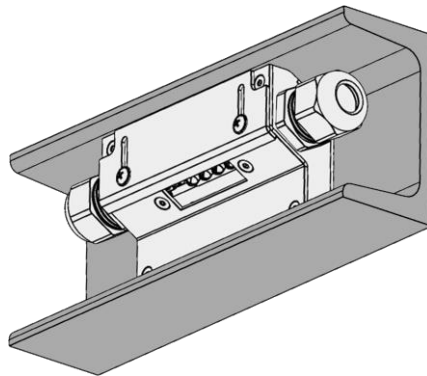


# LSS



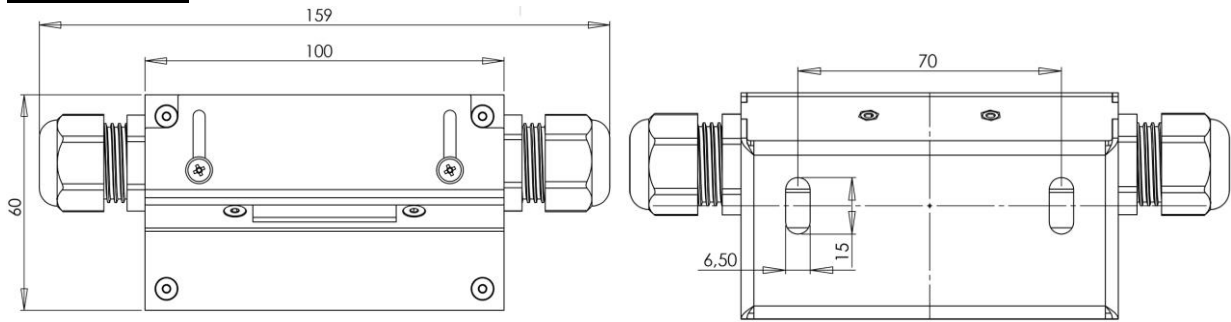
## KBL-P

### Small LED white/blue light for installation in U profiles

The LSS KBL-P is a white and / or blue light luminaire for mounting in U-profiles, which are used in theaters to fix headlights or in other constructions. The LED light can be used as orientation or path lighting on galleries, towers or bridges in the entire stage area. The profile light is supplied in a powder-coated 1.5 mm sheet steel housing.

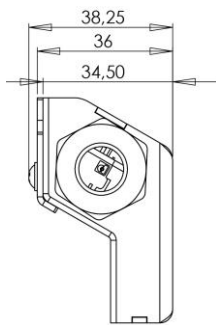
The LSS KBL-P can be equipped with white and / or blue LEDs. The light range of the LEDs can be adjusted with an aperture. A 24 V DC fixed installation is required for the power supply, which can also include a PWM or an analog dimmer such as the LSS 4-channel KBL dimmer (order number 5258). Then the profile lights can also be controlled via DMX.

## Dimensions

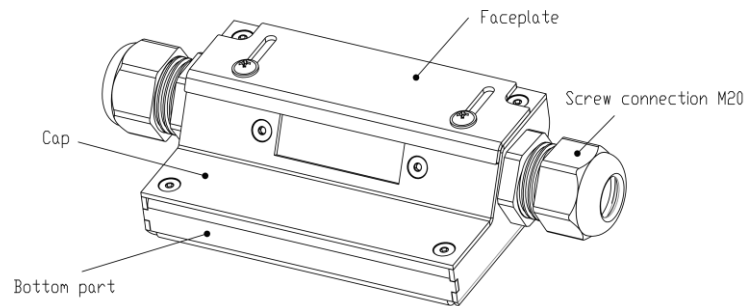


Front

Back

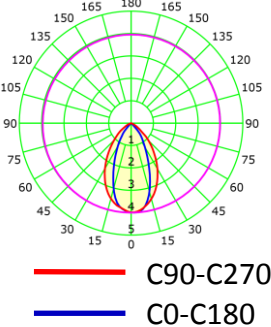


Lateral



Example of installation in a theater

## Technical specifications:

<b>Blue LED</b>	Number of LED: 4 Wavelength: 465 – 470 nm Luminous flux: 4,6 lm Beam angle: ca. 35° x 80° Stock, other LED / colors available on request.	 <p> <span style="color: red;">—</span> C90-C270  <span style="color: blue;">—</span> C0-C180         </p>
<b>White LED</b>	Number of LED: 4 Luminous flux: 5 lm Color temperature: 5000 K Stock, other LED / colors available on request.	
<b>Power supply</b>	24 V DC/0.02 A	
<b>IP Code / Appliance classes</b>	IP30 / Class 3	
<b>Cable entry</b>	M20 screw connections	
<b>Housing</b>	1.5 mm sheet steel housing / RAL9005 black powder-coated	
<b>RoHS</b>	Approval	
<b>Dimension (B x H x T)</b>	159 x 60 x 38,25 mm (screw connections included) 100 x 60 x 38,25 mm (screw connections not included)	
<b>Weight</b>	270 g power cable not included	
<b>Order number</b>	L01024	