

LSS



KBL – Small LED blue light Compact blue light for theaters

The KBL is the compact white and/or blue light by LSS and was developed for use in theaters. It can be used as a wall or ceiling light and as a surface-mounted or flush-mounted model. The KBL from LSS can be installed in offset boxes, ducts, and even in wall cladding. Their versatility and small dimensions make them a universally usable luminaire in corridors, galleries, on stage for stage managers desks, and many other places.

Either a 230 V AC or a 24 V DC fixed installation can be used as the power supply for the LSS KBL. The KBL can also be dimmed when operating with 24 V DC. Also, PWM or analog dimmers can be used. The LSS 4-Channel KBL Dimmer (order number 5258), which is matched to the KBL lights, also enables the KBL to be controlled via DMX.

The LSS KBL is equipped with energy-saving, low-maintenance, and long-life LEDs. The lighting surface is almost rectangular and is illuminated evenly. To prevent unwanted radiation or to reduce the lighting area, sliding covers are optionally available.

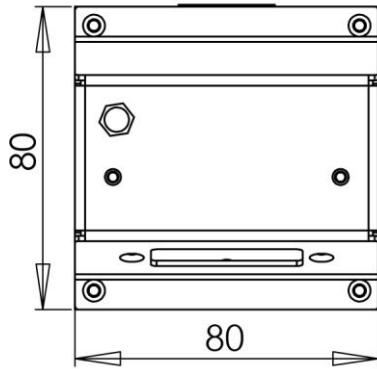
The small blue light LSS KBL is supplied in a powder-coated sheet steel housing.

Technical Specifications

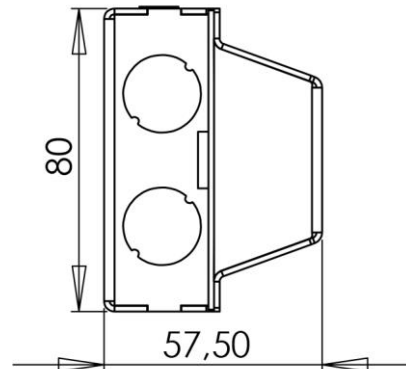
Blue LED	Number of LED: 4			
	Wavelength: around 470 nm			
Luminous flux: 4,6 lm				
Beam angle: ca. 35° x 80°				
Stock, other LED / colors available on request.				
White LED	Number of LED: 4			
	Luminous flux: 5 lm			
	Color temperature: 5000 K			
	Stock, other LED / colors available on request.			
Cable entry	6 possible M20 screw connections			
Surface house	(two breakouts each on three sides)			
Power Supply	KBL 24N: 24 V DC / 0.02 A			
	KBL 230N: 100-250 V AC / 0.02 A			
Power consumption	KBL 24N: 0.5 W			
	KBL 230N: 5 VA			
IP Code/ Appliance classes	KBL 24N: IP30 / Class 3			
	KBL 230N: IP30 / Class 1			
Operating temperature	0 °C – 50 °C, not condensing			
Housing	1.5 mm sheet steel housing / RAL9005 black powder-coated			
RoHS	conform			
Weight	Approx. 330 g without connection cable including surface-mounted housing			
Dimensions (W x H x D in mm)	without surface housing: 80 x 80 x 30			
	with surface housing: 80 x 80 x 57,50			
Optional accessories	<ul style="list-style-type: none"> • U-shaped cover • Cover for ceiling mounting 			
Order number	Blue light LED		White light	
	KBL 24N:	L01002	KWL 24N:	L01020
	KBL 230N:	L01006	KWL 230N:	L01007
	White / Blue light		Accessory	
	KWBL 24N:	L01035	Housing for Surface mounting:	L01003

Dimensions

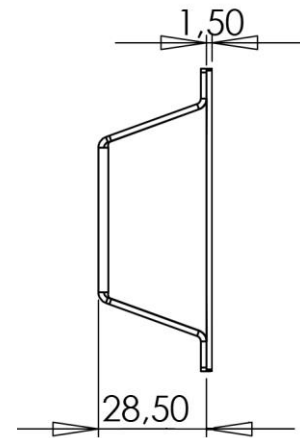
Top view wall unit



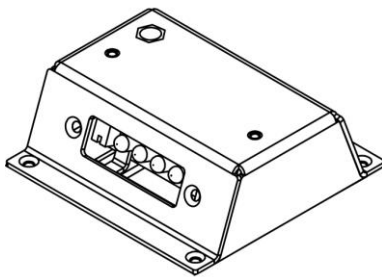
Side view with a surface-mounted housing



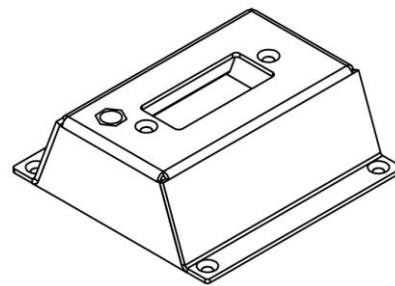
Side view without a surface-mounted housing



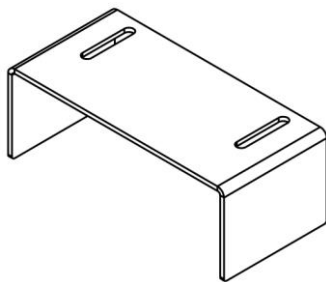
Top for wall mounting



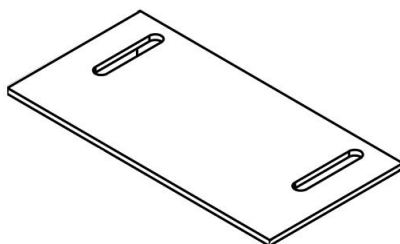
Top for ceiling mounting



Cover for wall mounting



Cover for ceiling mounting



Drill template base

