

# LSS



## **GBL D4** LED blue light luminaire

The LSS GBL D4 is a LED blue light luminaire for illuminating catwalks and battens in theaters. The luminaire is equipped with six energy-saving and long-lasting LEDs and is practically maintenance-free.

The LSS GBL D4 can be integrated and controlled in a lighting system with DMX control. The luminaire supports RDM according to the ESTA standards ANSI E1.20 - 2010 and ANSI E1.37-1 - 2012. The parameters can be set directly on the device or via remote control. Use as a single device without external control is also possible. Then the brightness can be set to the exact percent and the light can be switched on and off at the push of a button.

The LSS GBL D4 is supplied with power exclusively via PowerDMX. Using the DMX-THRU, up to 17 devices can be connected in series and controlled in one DMX universe.

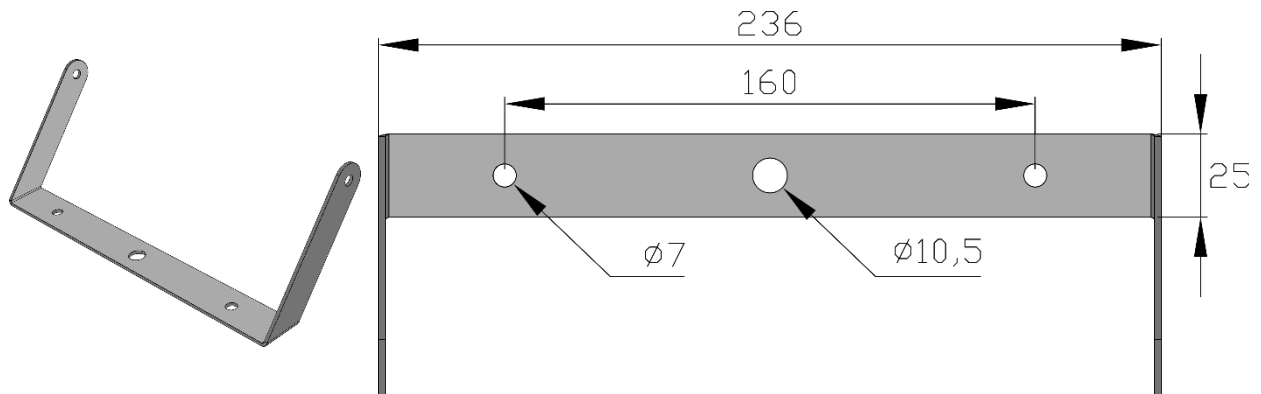
A mounting bracket with a beveled mounting surface is included in the scope of delivery of the LSS GBL D4. A mounting bracket with a straight mounting surface is available as an accessory.

## Technical specifications:

<b>LED characteristic</b>	Electric power: max. 6,0 W Wavelength: around 470 nm																						
<b>Attachment</b>	Clear glass panel																						
<b>Beam angle</b>	35° x 10°																						
<b>Square measure</b>	<p style="text-align: center;">Abstrahlwinkel und Beleuchtungsfläche</p> <table border="1" style="margin-left: auto; margin-right: auto;"> <caption>Beam Dimensions</caption> <thead> <tr> <th>Distance (m)</th> <th>Beam Width (m)</th> </tr> </thead> <tbody> <tr><td>1</td><td>0,8</td></tr> <tr><td>2</td><td>1,4</td></tr> <tr><td>3</td><td>2,1</td></tr> <tr><td>4</td><td>2,7</td></tr> <tr><td>5</td><td>3,3</td></tr> <tr><td>6</td><td>4,0</td></tr> <tr><td>7</td><td>4,6</td></tr> <tr><td>8</td><td>5,2</td></tr> <tr><td>9</td><td>5,9</td></tr> <tr><td>10</td><td>6,15</td></tr> </tbody> </table>	Distance (m)	Beam Width (m)	1	0,8	2	1,4	3	2,1	4	2,7	5	3,3	6	4,0	7	4,6	8	5,2	9	5,9	10	6,15
Distance (m)	Beam Width (m)																						
1	0,8																						
2	1,4																						
3	2,1																						
4	2,7																						
5	3,3																						
6	4,0																						
7	4,6																						
8	5,2																						
9	5,9																						
10	6,15																						
<b>Connectors</b>	DMX-In: XLR, 4pin male, according to DIN 56930-2 DMX-THRU: XLR, 4pin female Optically electrically isolated.																						
<b>Power supply</b>	PowerDMX 24 V DC (20 - 48 V DC possible)																						
<b>Power consumption</b>	350 mA at 24 V DC (0,4 – 0,2 A at 20 - 48 V DC)																						
<b>Preliminary fuse</b>	Max. 6 A (slow)																						
<b>Number of luminaires per DMX supply line</b>	Up to 17																						
<b>Conncting Cable PowerDMX</b>	e.g. 2LIY 2,00 mm <sup>2</sup> + LIY 0,38 mm <sup>2</sup>																						
<b>IP Code/Appliance classes</b>	IP20/Class III																						
<b>Operating temperature</b>	0 °C – 40 °C, not condensed																						
<b>Case</b>	Aluminum sheet, powder-coated black, RAL 9005, fine structure, matt																						
<b>RoHS</b>	Approval																						
<b>Dimension (W x H x D)</b>	228 x 74 x 89 mm (without bracket)																						
<b>Weight</b>	about 600 g (without bracket) about 650 g (with bracket)																						
<b>Order number</b>	L01027																						

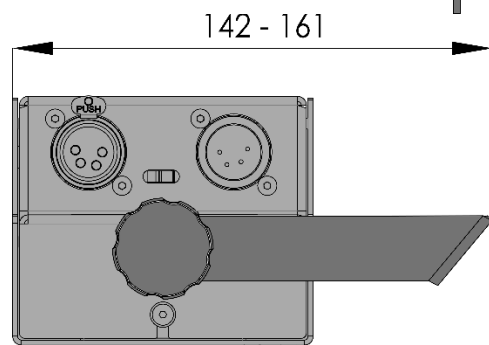
## Technical specifications mounting bracket:

### Beveled bracket



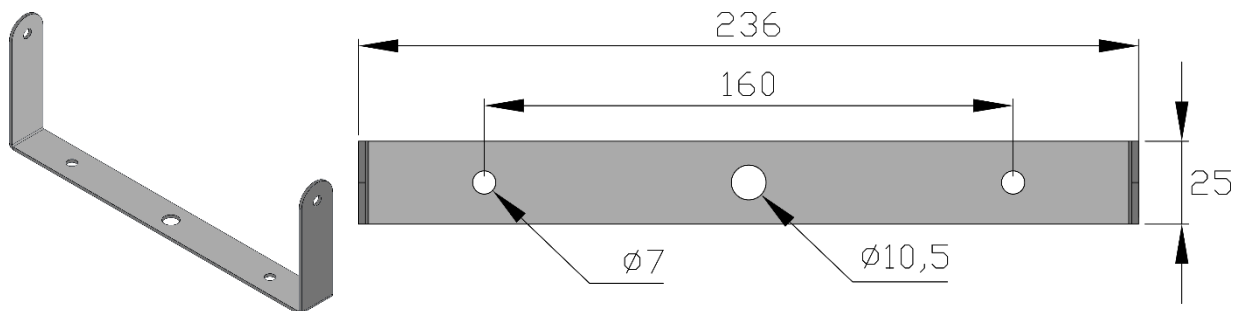
Material: Aluminum sheet, 2 mm  
Color: powder-coated black, RAL 9005,  
fine structure, matt

Included in the scope of delivery LSS GBL D4.



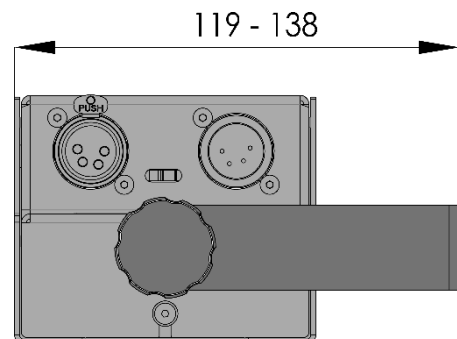
The luminaire can be rotating 360 °.

### Straight bracket:



Material: Aluminum sheet, 2 mm  
Color: powder-coated black, RAL 9005,  
fine structure, matt

Accessories, not included in the LSS GBL D4  
scope of delivery.



The luminaire can be rotating 360 °.