

LSS



DMX Schalt-Schuko 2 wireless

Wireless DMX switchable Schuko plug with optional RDM support

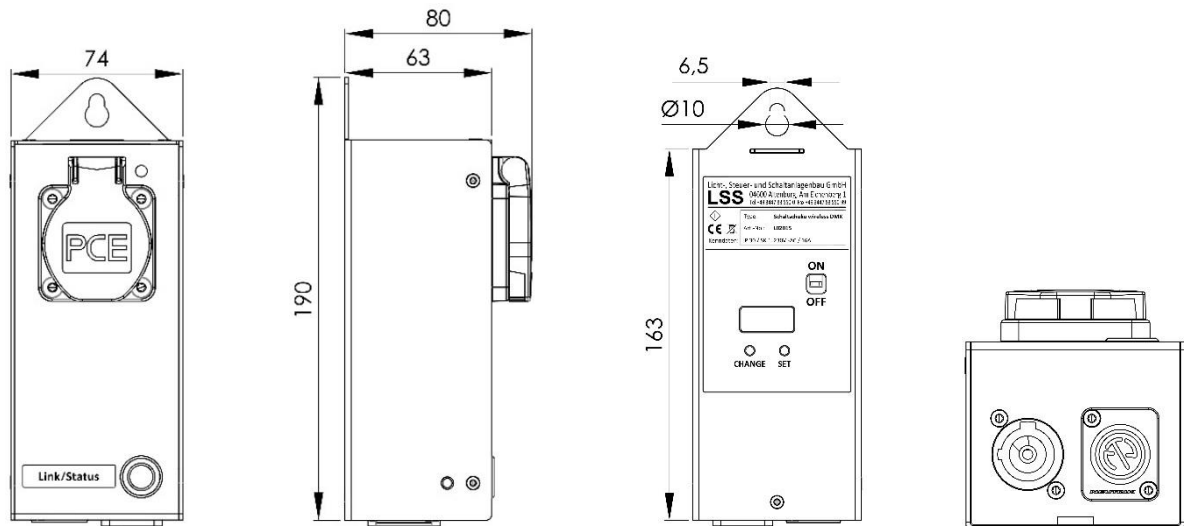
The LSS DMX Schalt-Schuko 2 wireless is a built-in Schuko plug that can be switched on and off via W-DMX. It is equipped with a bistable relay, which only requires power for switching. A holding current is not necessary. The relay has a switching capacity of a maximum of 11.5 kVA (230 V / 50 A). It is oversized so that it can also switch capacitive or halogen loads with high inrush currents without any problems.

The LSS DMX Schalt-Schuko 2 wireless is equipped with a LumenRadio CRMX Nova system. It supports all transmitters from this product family. The device is optionally available as a pure DMX or DMX/RDM device. The DMX device can only be parameterized in the device menu. In the DMX/RDM variant, parameterization and feedback via RDM are also possible. A DMX universe with 512 channels is transmitted in both device variants. All devices have temperature measurement and monitoring. Operating status and error messages are also displayed via LEDs on the device. These LEDs can be switched off for use in the stage area.

The LSS DMX Schalt-Schuko 2 wireless is supplied with power via a Neutrik powerCon® 230 V / 20 A Power-In on the underside of the device. Another connection can be installed as an option. This can either be a Power-THRU with a Neutrik powerCon® 230 V / 20 A Power-Out or a parallel DMX-Out with an XLR connector.

General technical data:

Design:	Ready device
Switchable loads:	Max. 3,5 kW resistive load Inductive and capacitive loads possible.
Plug-in:	PCE IP54 Schuko®
Protective conductor:	Separately executed connection
RoHS:	Compliant
Dimensions (W x H x D):	74 x 190 x 80 mm



Order number:	L02015
Power supply:	
Input:	85 ~ 264 V AC / 50 Hz
Ampacity:	max. 16 A
Biasing:	max. 30 mA
Connector:	Neutrik powerCon® 230 V/20 A Power-In

Optional connections:

Power-THRU:	Neutrik powerCon® 230 V/20 A Power-Out
Parallel DMX-Out:	3 pin XLR-Out

Only one optional connection can be installed!

Wireless-DMX:	
DMX-Standard:	ANSI E1.11
The number of transmitted DMX universes:	1
System:	LumenRadio CRMX Nova

With optional DMX/RDM transmitter/receiver:

Frequency range:	2402 – 2480 MHz
Power level:	100mW (20dBm), 50mW (17dBm), 10mW (10dBm)
Maximum range:	Up to 1000 m line of sight