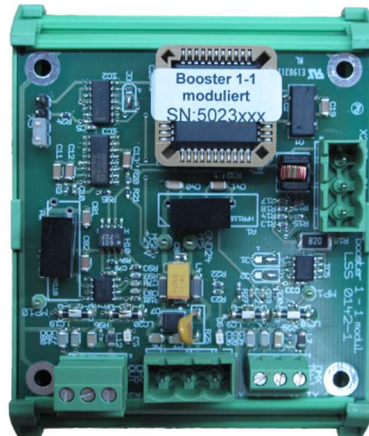


LSS



DMX-Booster 1 in 1 modulated

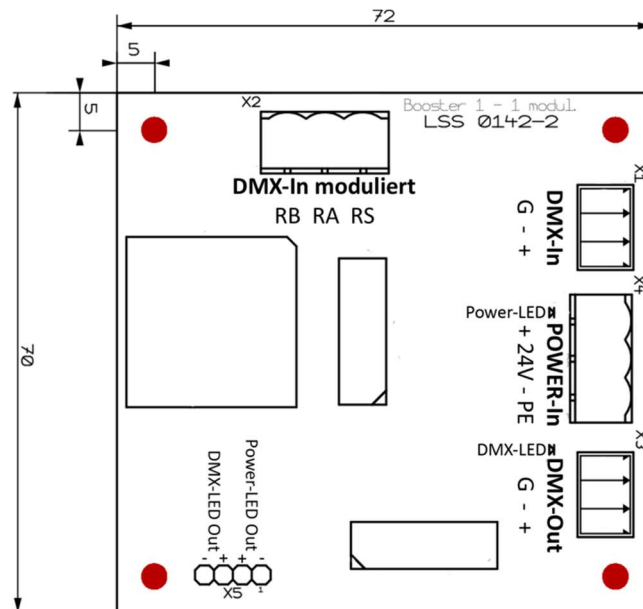
The LSS DMX-Booster 1 in 1 modulated is developed for the transmission of DMX512 signals in rail systems of TV studios. In a lighting network, it is a receiver of DMX signals directly behind the rail system and prepares weak signals for onward transmission in the network.

The LSS DMX-Booster 1 in 1 modulated can also be used as a DMX-Y amplifier. The DMX inputs and outputs are electrically isolated by optocouplers and have an EMC protection circuit. The DMX-Booster modulated 1 in 1 has an automatic DMX signal detection and requires no further configuration. Installation is quick and easy using a screw bolt or with a PHOENIX holder on a top-hat rail. To operate the LSS DMX-Booster 1 in 1 modulated requires a 24 V DC power supply.

Technical specifications:

DMX-Input modulated	1x PCB header Phoenix MSTBVA 2,5/3-G-5,08
DMX-Input	1x PCB header Phoenix MKDS 1/3-3,81, electrically isolated
DMX outputs	1x PCB header Phoenix MCV 1,5/3-G-3,81, electrically isolated
LEDs	LED for power supply and DMX-signal input Additional external LEDs can be connected.
Power supply	24 V DC / 60 to 80 mA PCB header Phoenix MSTBVA 2,5/3-G-5,08
RoHS Directive	Approval
Dimensions (W x D x H)	73 x 65 x 90 mm
Weight	85 g
Order number	5023

Scheme:



LEDs

LED	Color	Description
Power	Green	Power is available
DMX	Yellow	DMX512 on DMX-In is available real DMX protocol detection by signal analysis

Connecting with external LEDs

External DMX-LED

Use connector X5 (3-4) to connect an external DMX-LED.

External Power-LED

Use the connector X5 (1-2) to connect an external Power-LED.



Ensure the correct mapping of the poles!



External connector and onboard LEDs are connected in series. If the external port is not used, it must be bypassed with a jumper to ensure the operation of the onboard LED.