

LSS



Special Light Controller

The LSS Special Light Controller is a control panel for special lighting systems in situations of emergency or restoring order. The special design of the LSS Special Light Controller with raised push-button, red ring lighting and the clearly legible and uniform illuminated inscription ensures that the special lighting system can be switched on quickly. The protective cover, which can be locked without tools and fitted with a viewing window, prevents unintentional actuation of the special lighting switch.

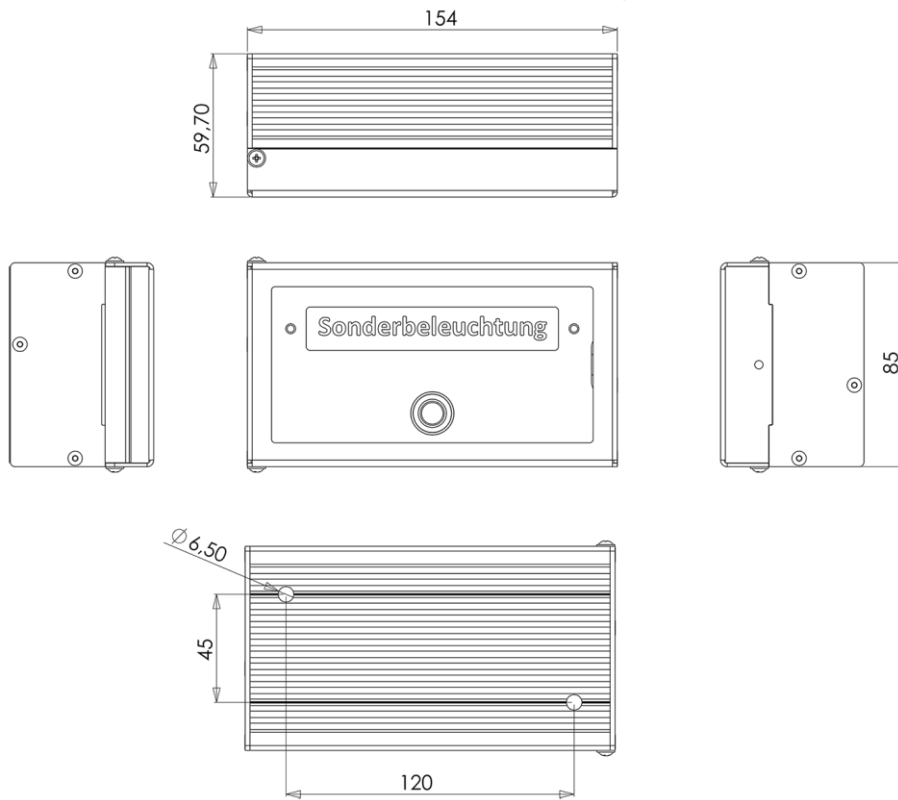
The LSS Special Light Controller can be used as part of a special lighting system with a PLC or with switching contactors. Depending on the system, further optical signals can be programmed.

The LSS Special Light Controller is available in two designs for surface or flush mounting. For surface mounting, the entire control panel is fitted in aluminum box. The connection openings can be arranged on the back or the side parts. The box is fastening by two screws on the back. For flush mounting (flush or hollow wall) the box is mounted on a commercially double flush socket.

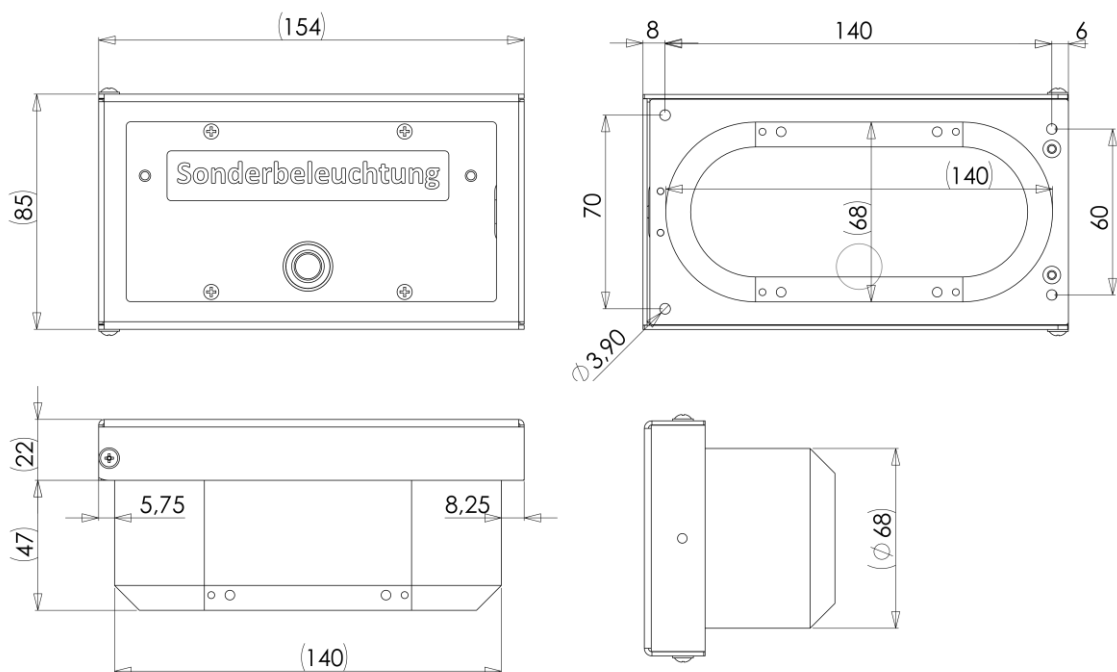
Technical Specification:

Design	Surface mounting	Flush Mounting																								
Connections	Internal connection to PHOENIX connectors																									
Connector pin assignment	<table border="1"> <thead> <tr> <th>1</th> <th>2</th> <th>3</th> <th>4</th> <th>5</th> <th>6</th> <th>7</th> <th>8</th> </tr> </thead> <tbody> <tr> <td>TA+</td> <td>TA-</td> <td>TB+</td> <td>TB-</td> <td>BL+</td> <td>BL-</td> <td>nc</td> <td>nc</td> </tr> <tr> <td colspan="2">Push button switch (Contact)</td> <td colspan="2">LED Feed-back</td> <td colspan="2">LED Back-ground lighting</td> <td></td> <td></td> </tr> </tbody> </table>	1	2	3	4	5	6	7	8	TA+	TA-	TB+	TB-	BL+	BL-	nc	nc	Push button switch (Contact)		LED Feed-back		LED Back-ground lighting				
1	2	3	4	5	6	7	8																			
TA+	TA-	TB+	TB-	BL+	BL-	nc	nc																			
Push button switch (Contact)		LED Feed-back		LED Back-ground lighting																						
Nominal cross section	1,5 mm ²																									
Conductor cross-section for all designs	rigid min.	0,2mm ²																								
	rigid max.	1,5mm ²																								
	flexible min.	0,2mm ²																								
	flexible max.	1,5mm ²																								
	flexible w. ferrule without plastic sleeve min.	0,25mm ²																								
	flexible w. ferrule without plastic sleeve max.	1,5mm ²																								
	flexible w. ferrule with plastic sleeve min.	0,25mm ²																								
	flexible w. ferrule with plastic sleeve max.	0,75mm ²																								
Max. switching capacity push button switch	36V DC, 2A																									
Contact type push button switch	Closer (Contact)																									
Power supply LED background light	24V DC, < 20mA																									
Box	Aluminium powdered black (RAL 9005)																									
Operation temperature	0° - 40°C, not condensing																									
RoHS	conform																									
Appliance class / IP	SK 3 / IP 40 according to DIN 40050																									
Weight	Ca. 600g	Ca. 300g																								
Dimensions	154 x 85 x 59,7 (B x H x T in mm) without cable	154 x 85 x 22 (B x H x T in mm) Add. mounting depth socket																								
Order number	L07001	L07002																								

Sketch Surface mounting



Sketch Flush mounting



circuit diagram

