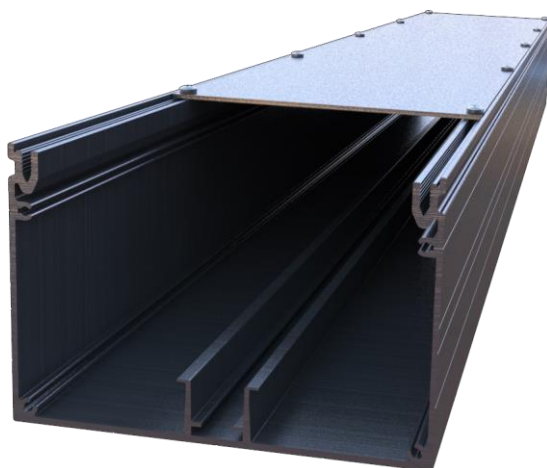


# LSS



## Multifunctional Duct 110/180

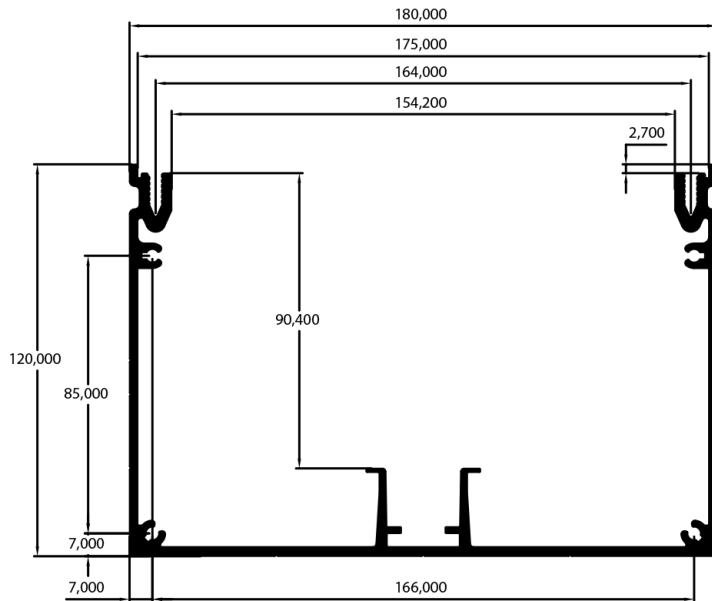
The Multifunction duct 110/180 by LSS is a device carrier and cable duct for theatres and TV studios. Due to its two different sizes and the extensive accessory program (see product catalogue Duct Profiles), it can be used in a variety of ways.

The standard profile comes black powdered. On customer request, the duct can be powdered in other RAL colours.

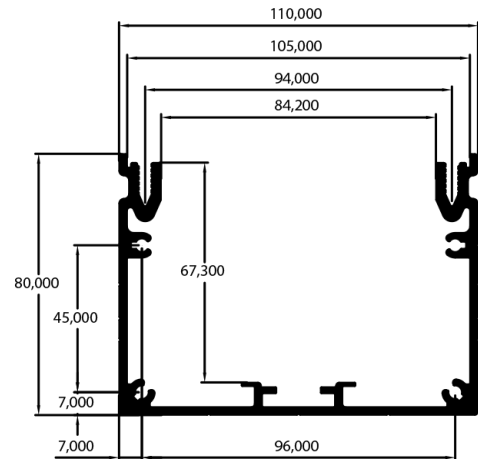
Part	Dimension \ Weight	Order number
Duct 180	180 x 120 x 6000mm \ 4,35 kg/m	L04001
Cover 180	174 x 3000 x 2,5mm \ 0,85 kg/m	L04002
End 180	180 x 120 x 2,5mm \ 0,15 kg	L04003
Duct 110	110 x 80 x 6000mm \ 2,92 kg/m	L04004
Cover 110	104 x 3000 x 2,5mm \ 0,7 kg/m	L04005
End 110	110 x 80 x 2,5mm \ 0,04 kg	L04006
Duct connector	60 x 22 x 4mm \ 0,04 kg	L04007
Accessories	Groove pin	L04008
	Cover Screw	L04009
	Carrier for circuit breaker with flap for duct 110	L04028

### Section view

Duct 180 x 120



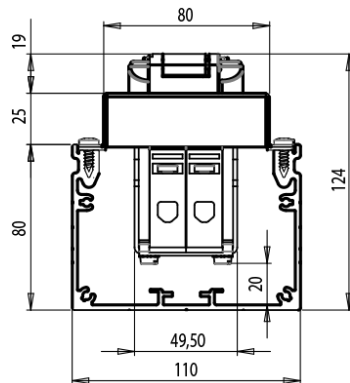
Duct 110 x 80



	Duct 180 x 120	Duct 110 x 80
Cover (Width x Length x Thickness)	174 x L x 2,5mm	104 x L x 2,5mm
Centre mounting holes	D=5,5mm / 5mm from the cover edge	
Screw grooves	DIN 7981 / 7982 4,8 x 13	

### Carrier for breaker flap for channel 110 x 80 (optionally)

#### Section view



#### Top view

