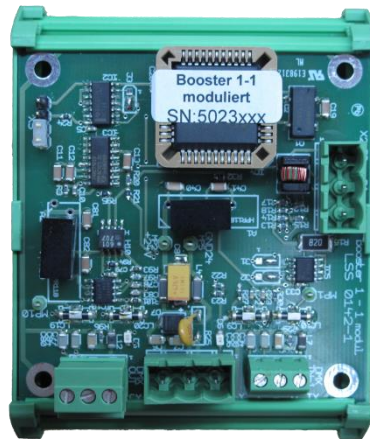


LSS



DMX-Booster 1 in 1 modulated

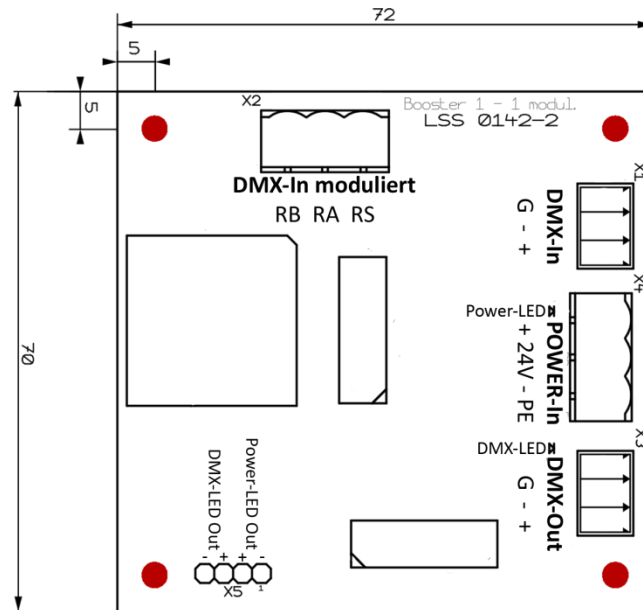
The *LSS DMX Booster 1 in 1 modulated* is developed for the transmission of DMX512 signals in rail systems of TV studios. In a lighting network, it is a receiver of DMX signals directly behind the rail system and prepares weak signals for onward transmission in the network.

The *LSS DMX Booster 1 in 1 modulated* can also be used as a DMX-Y amplifier. The DMX output is isolated as the input by opto-isolators and EMC protection circuit. It has DMX signal detection and requires no additional configuration. The *DMX Booster 1 in 1 modulated* can be installed quickly and easily by bolts or mounted onto 35mm DIN rail. For operation a 24V DC power supply is needed.

Technical specifications:

DMX-Input modulated	1x PHOENIX connector
DMX-Input	1x PHOENIX connector, electrical isolated by opto-isolators
DMX outputs	1x PHOENIX connector, electrical isolated by opto-isolators
LEDs	LED for power supply and DMX-signal input Additional external LEDs can be connected.
Power supply	24V DC / 60-80mA
RoHS Directive	Confirmed
Dimensions	(W x D x H) 73 x 65 x 90mm
Weight	85 gram
Order number	5023

Scheme:



LEDs

LED	Color	Description
Power	Green	Power is available
DMX	Yellow	DMX512 on DMX-In is available real DMX protocol detection by signal analysis

Connecting with external LEDs

External DMX-LED

Use connector X5 (3-4) to connect an external DMX-LED.

External Power-LED

Use the connector X5 (1-2) to connect an external Power-LED.



Ensure the correct mapping of the poles!

External connection and onboard LEDs are connected in series. If the external port is not used, it must be bypassed with a jumper to ensure the operation of the onboard LED.